



JAY R. SMITH MFG. CO.[®]

DIVISION OF SMITH INDUSTRIES, INC.

MEMBER OF:



ENGINEERED PLUMBING PRODUCTS

Technical Bulletin TB-09-06

To: All Representatives and Service Center Managers
From: Jay R. Smith Engineering
Date: September 11, 2009
Subject: "New" Figure No. 1771 (Formerly SQ-1-2810) Downspout Nozzle

We are pleased to announce another "Contractor Friendly Product", the Fig. 1771 downspout nozzle. The Fig. 1771 is made to slide over PVC or cast iron pipe and secure with three set screws. This unique design eliminates the need for glue, clamps or threading of pipe which in turn provides labor savings and ease of installation. Wow, could it get any simpler than that?

We encourage you to use this as an opportunity to call on your contractors and let them know Jay R. Smith is still at work endeavoring to make their job easier.

Please discard any SQ-1-2810 submittals you may have and replace with the attached new Fig. 1771 submittal.

If you have any questions concerning this please do not hesitate to call the Sales Engineering Department.

Very truly yours,
Jay R. Smith Mfg. Co.

Chris Levins
Senior Sales Engineer
Jay R. Smith Engineering

Attachment



ROOF ACCESSORY

DOWNSPOUT NOZZLE

FUNCTION: Used as a parapet overflow or at the base of a wall where a concealed leader discharges rainwater to ground. Nozzle design diverts water away from building, eliminating wall stains. Wall flange covers rough opening.

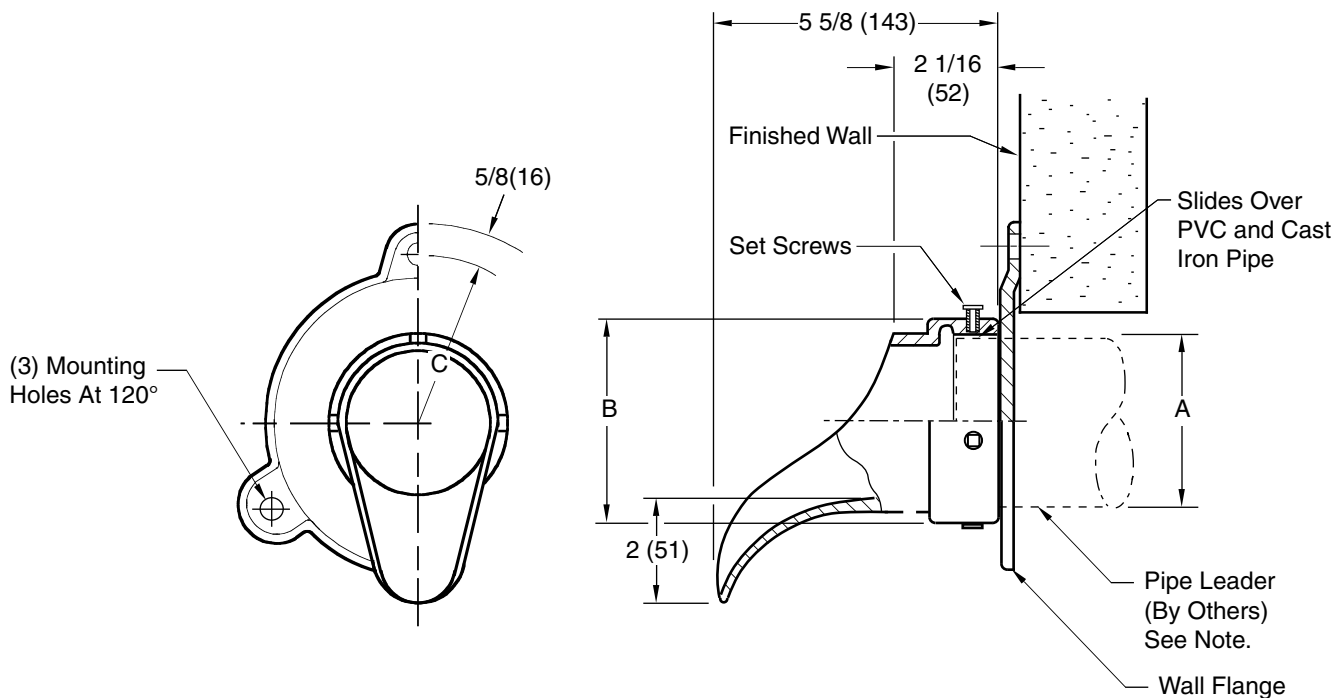


Fig. 1771

NOTE: Pipe (Leader) must extend past the face of the finished wall in order to install the wall flange and attach the downspout nozzle. Dimension shall be field determined by installer.

NOTE: Dimensions shown in parentheses are in millimeters.

A = Pipe Size	02 (50)	03 (75)	04 (100)	05 (125)	06 (150)	08 (200)	10 (250)	12 (305)
B = DIA	2 3/4 (70)	4 (100)	5 (125)	6 (150)	7 1/4 (185)	9 1/4 (235)	11 1/8 (283)	13 1/4 (335)
C = RAD	2 3/4 (70)	3 1/2 (89)	3 7/8 (98)	4 3/8 (111)	5 (125)	5 7/8 (149)	7 1/4 (185)	8 (205)

REGULARLY FURNISHED:
 Cast Bronze Nozzle and Flange,
 Machined Nozzle Slides Over
 PVC and Cast Iron Pipe.

VARIATIONS:
 Bird Screen-BS

OPTIONAL MATERIALS:
 Nickel Bronze -NB
 Polished Bronze -PB

DRAWING NUMBER
S1771

SIZE
A

SCALE:
NONE

DATE:
09/01/09

APPROVED BY:
CL

CHECKED BY:
CL

DRAWN BY:
JJ

1771

WE CAN ASSUME NO RESPONSIBILITY FOR USE OF SUPERSEDED OR VOID DATA

DIMENSIONS ARE SUBJECT TO MANUFACTURERS TOLERANCE AND CHANGE WITHOUT NOTICE

FIGURE NUMBER

REV.	DATE	DESCRIPTION	BY	CKD. BY

WEIGHT
POUNDS

VOLUME
CUBIC FEET

FIGURE NUMBER

1771